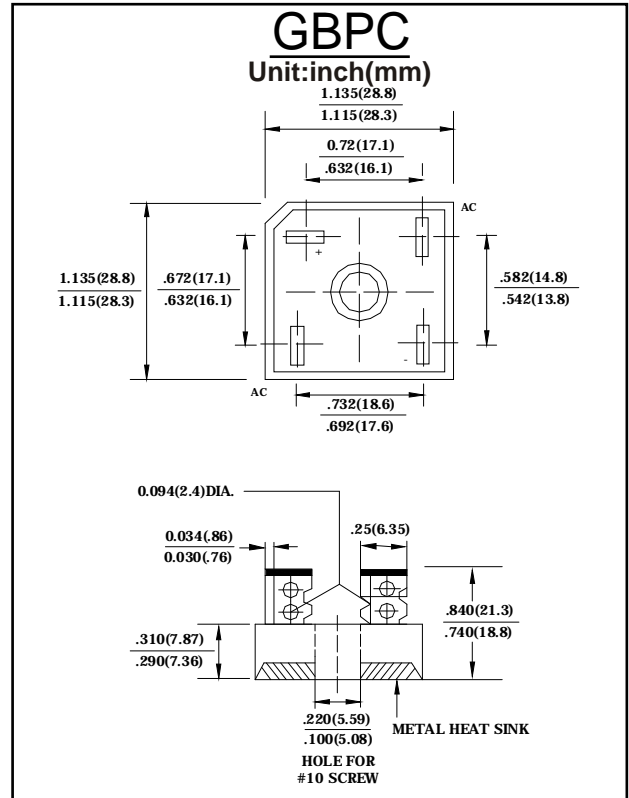


FEATURES

- Rating to 1000V PRV
- High efficiency
- Glass passivated chip junction
- Electrically isolated metal case for maximum heat dissipation
- The plastic material has UL flammability classification 94V-0
- Electrically isolated base-2500 Vlots

MECHANICAL DATA

- Case : Molded plastic with Heatsink internally mounted in the bridge encapsulation
- Polarity : As marked on Body
- Mounting : Hole for # 10 screw



MAXIMUM RATINGS AND ELECTRICAL CHARACTERISTICS

Ratings at 25°C ambient temperature unless otherwise specified.

Single phase, half wave, 60Hz, resistive or inductive load.

For capacitive load, derate current by 20%

CHARACTERISTICS	SYMBOL	GBPC 50005	GBPC 5001	GBPC 5002	GBPC 5004	GBPC 5006	GBPC 5008	GBPC 5010	UNIT
Maximum Recurrent Peak Reverse Voltage	V _{RRM}	50	100	200	400	600	800	1000	V
Maximum RMS Voltage	V _{RMS}	35	70	140	280	420	560	700	V
Maximum DC Blocking Voltage	V _{DC}	50	100	200	400	600	800	1000	V
Maximum Average Forward Rectified Current @T _c = 50°C (with heatsink)	I _(AV)	50.0							A
Peak Forward Surge Current 8.3ms single half sine-wave superimposed on rated load (JEDEC METHOD)	I _{FSM}	400							A
Maximum forward Voltage at 25A DC	V _F	1.0							V
Maximum DC Reverse Current @T _J =25°C at Rated DC Blocking Voltage @T _J =125°C	I _R	5.0 500							uA
I ² t Rating for fusing (t < 8.3ms), (Note 1)	I ² t	800							A ² S
Typical Junction Capacitance per element (Note 2)	C _J	150							pF
Typical Thermal Resistance (Note 3)	R _{θJC}	1.4							°C/W
Operating Temperature Range	T _J	-55 to +150							°C
Storage Temperature Range	T _{STG}	-55 to +150							°C

NOTES : 1.Measured at non-repetitive, for greater than 1ms and less than 8.3ms
 2.Measured at 1.0MHz and applied reverse voltage of 4.0V DC.
 3.Device mounted on 300mm x 300mm x 1.6mm Cu Plate Heatsink.

RATINGS AND CHARACTERISTIC CURVES

